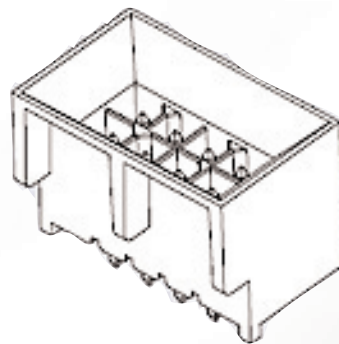
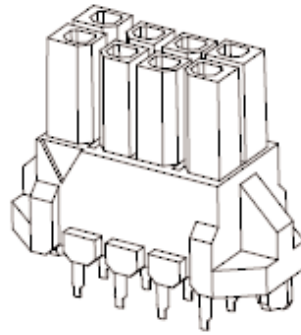




Produkt Information / Product information

**Vertical Board-to-Board
Pitch 3.0mm**

Serie 3000SA & 3000SB

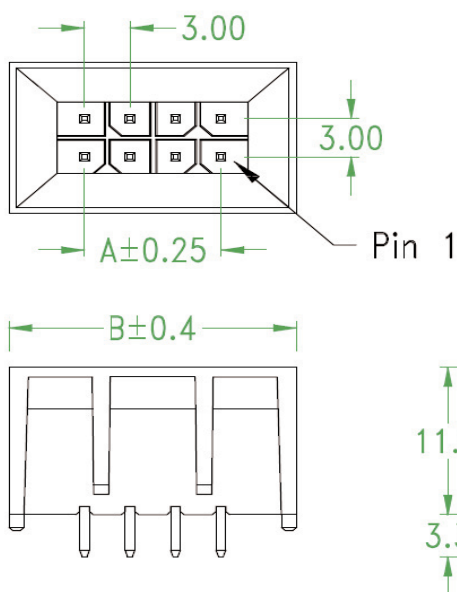
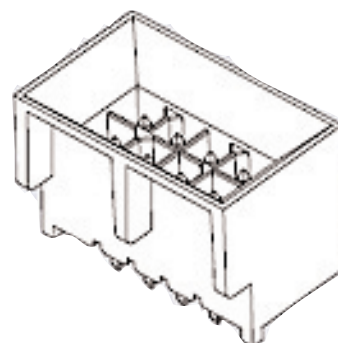




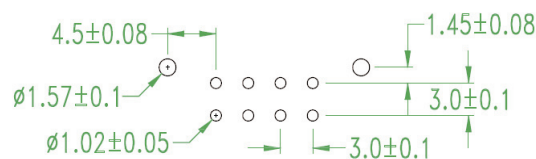
Serie 3000SA

Specifications

Current Rating: 5A AC,DC
 Voltage Rating: 250V AC,DC
 Temperature Range: -25°C to +85°C
 Contact Resistance: 10mΩ Max
 Withstanding Voltage: 1500V AC/minute
 Pin Material: Phosphor Bronze/Tin-plated
 Material:LCP, UL94V-0

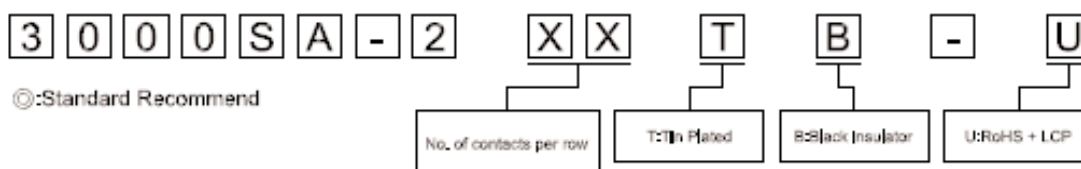


| Part No. | Dimensions | |
|----------------|------------|-------|
| | A | B |
| 3000SA-202TB-U | 3.00 | 13.00 |
| 3000SA-203TB-U | 6.00 | 16.00 |
| 3000SA-204TB-U | 9.00 | 19.00 |
| 3000SA-205TB-U | 12.00 | 22.00 |
| 3000SA-206TB-U | 15.00 | 25.00 |
| 3000SA-207TB-U | 18.00 | 28.00 |
| 3000SA-208TB-U | 21.00 | 31.00 |
| 3000SA-209TB-U | 24.00 | 34.00 |
| 3000SA-210TB-U | 27.00 | 37.00 |
| 3000SA-211TB-U | 30.00 | 40.00 |
| 3000SA-212TB-U | 33.00 | 43.00 |



PCB Layout: Component side
 Recommended PCB thickness: .062"(1.57mm)

ORDER INFORMATION

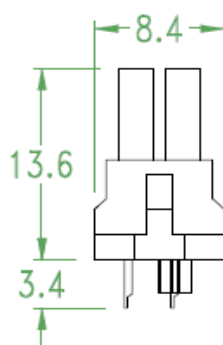
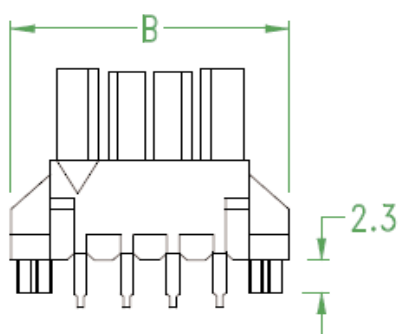
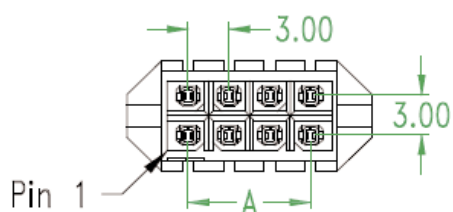
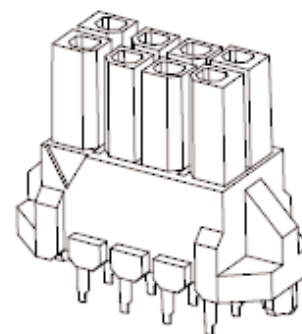




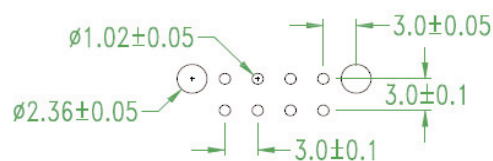
Serie 3000SB

Specifications

Current Rating: 5A AC,DC
 Voltage Rating: 250V AC,DC
 Temperature Range: -25°C to +85°C
 Contact Resistance: 10mΩ Max
 Withstanding Voltage: 1500V AC/minute
 Pin Material: Phosphor Bronze/Tin-plated
 Material: LCP, UL94V-0



| Part No. | Dimensions | |
|----------------|------------|-------|
| | A | B |
| 3000SB-202TB-U | 3.00 | 12.00 |
| 3000SB-203TB-U | 6.00 | 15.00 |
| 3000SB-204TB-U | 9.00 | 18.00 |
| 3000SB-205TB-U | 12.00 | 21.00 |
| 3000SB-206TB-U | 15.00 | 24.00 |
| 3000SB-207TB-U | 18.00 | 27.00 |
| 3000SB-208TB-U | 21.00 | 30.00 |
| 3000SB-209TB-U | 24.00 | 33.00 |
| 3000SB-210TB-U | 27.00 | 36.00 |
| 3000SB-211TB-U | 30.00 | 39.00 |
| 3000SB-212TB-U | 33.00 | 42.00 |



PCB Layout: Component side
 Recommended PCB thickness: .062" (1.57mm)

ORDER INFORMATION

